

HOIST WATER PROOF PUSH BUTTON (INDIRECT OPERATION)

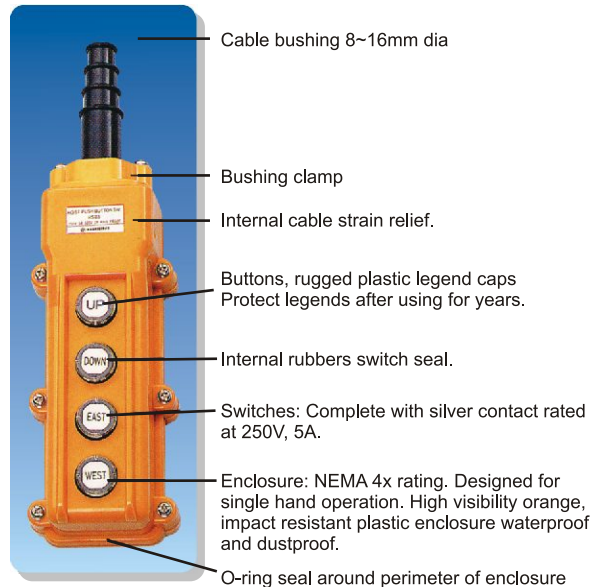
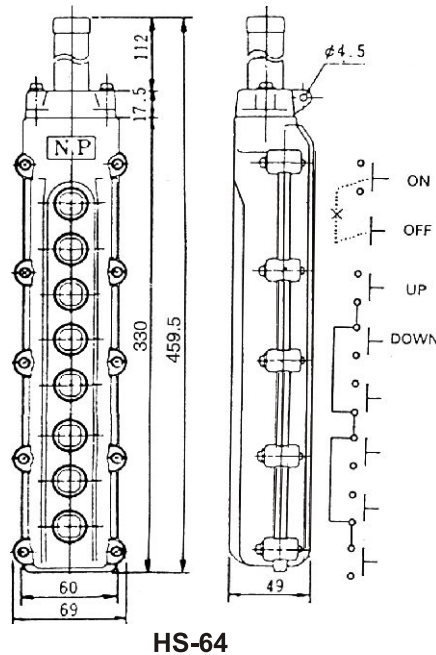
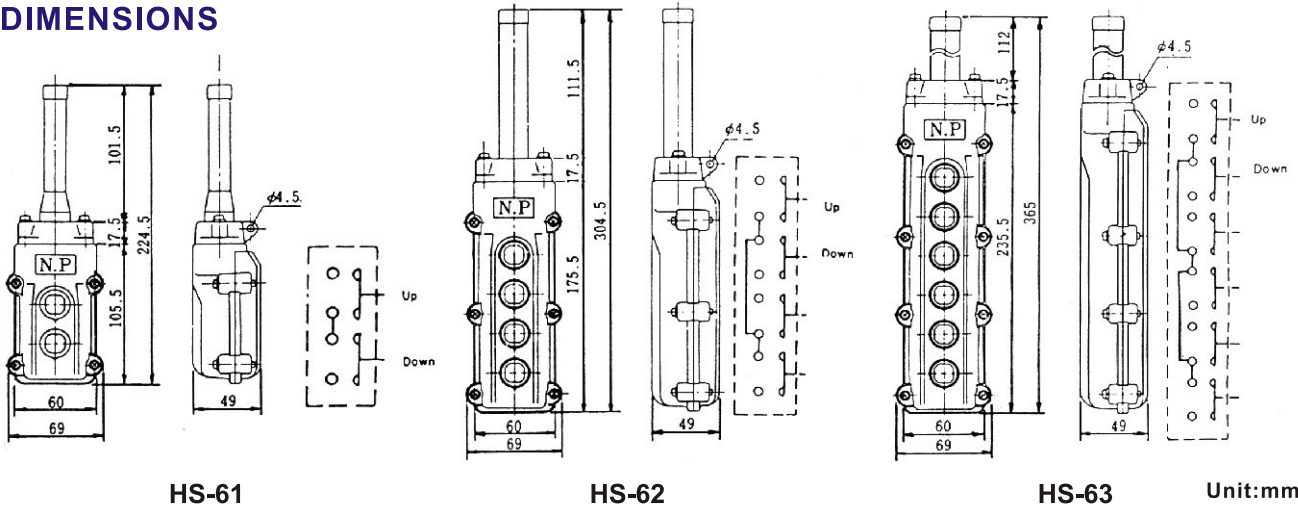


Number of buttons	Complete type	Rating	Cable bushing diameter (mm)
2 (1 pair)	HS-61	24VAC 5A	8~16Dia
4 (2 pair)	HS-62	120VAC 5A	
6 (3 pair)	HS-63	250VAC 5A	
8 (4 pair)	HS-64	500VAC 5A	
		24VDC 2A	
		120VDC 0.4A	



- Compact high visibility orange enclosure NEMA 4x enclosure rating
- Ultra-long service life, -15°C~70°C operation 100g shock resistance

DIMENSIONS



LEGENDS:

UP	DOWN	FAST	SLOW	HIGH	LOW	NORTH	SOUTH
ON	OFF	RIGHT	LEFT	RAISE	LOWER	EAST	WEST
IN	OUT	FWD	REV	START	STOP	OPEN	CLOSE

- Note: All switch pairs are mechanically interlocked.
- ON-OFF can be substituted in first two buttons any switch shown

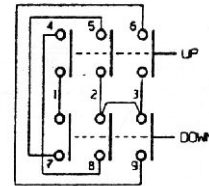
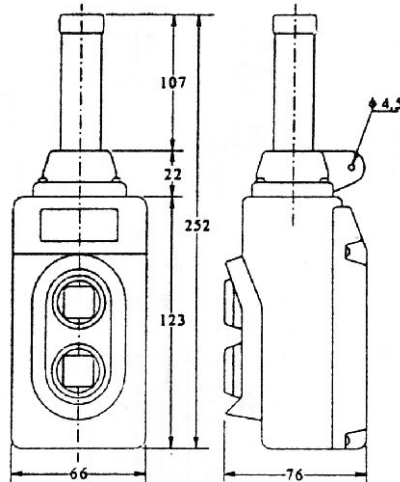
DIRECT OPERATION HOIST PUSH BUTTON PENDANT SWITCH

Dimensions and Connections of COB213

Unit:mm



COB213



COB213

- 1~3: Power source
- 1~6: Main winding
- 4~5: Starting winding

Dimensions in mm

Designed for direct control of single phase electric motors. Since motor current is controlled directly by the pendant switch no extra reversing contactors or costly controls are required.

FEATURES

- Durable high quality A.B.S. Pendant switch housing
- Highly visible safety orange color
- NEMA 4 water-proof enclosure
- Split case design for easy installation and wiring
- Flexible cable boot selected to match size of cable prevents entry of foreign debris
- Slim compact size suited for one hand operation
- Control ratings for 1HP max. at 120 VAC
- Two button switch with a wide range of legend markings



COB21

COB22

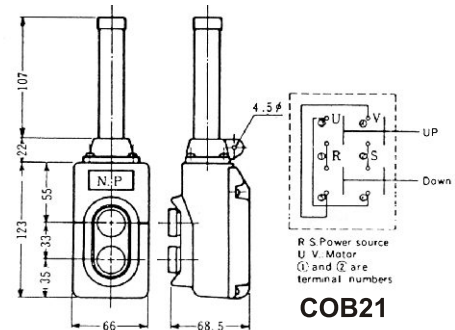
COB23

LEGENDS

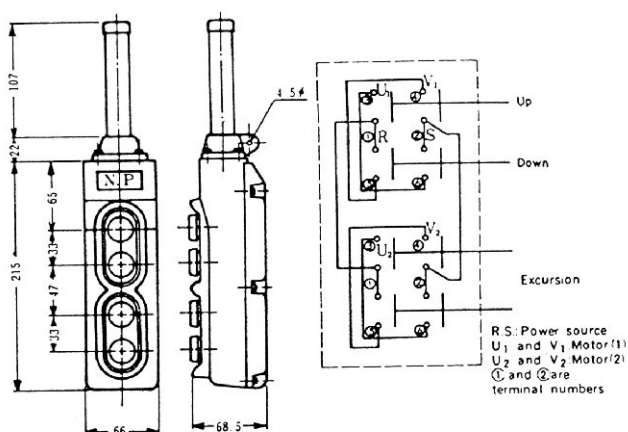
UP, DOWN, RAISE, LOWER, EAST, WEST, NORTH, SOUTH, U, D, E, W, N, S, R, L, ↑ ↓

Rating: 220VAC, 2.2KW water proof, direct operation

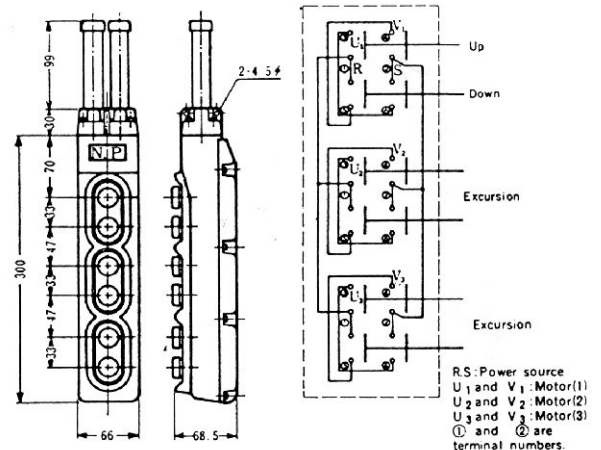
Unit:mm



COB21



COB22



COB23

HOIST WATER PROOF PUSH BUTTON PENDANT SWITCH

Unit:mm



For Single Speed
HS802

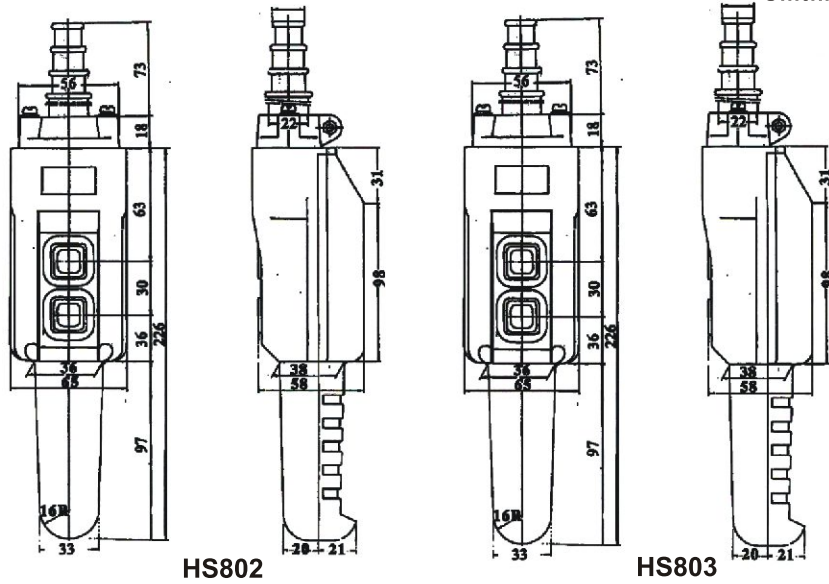


For Double Speed
HS802D

For Single Speed
HS803



For Double Speed
HS803D



HS802

HS803

The **HS80 Series** is a compact, pistol-grip design two-button, three-button with Emergency stop pendant station, and features:

- An especially ergonomic design—less than three inches wide-weighing only 10 ounces
- Construction of high impact ABS, and high visibility safety yellow
- NEMA 4 waterproof rating
- Single-speed 5 amp, 250 volt contact block
- Multi-diameter cable bushing

For Single Speed
HS81

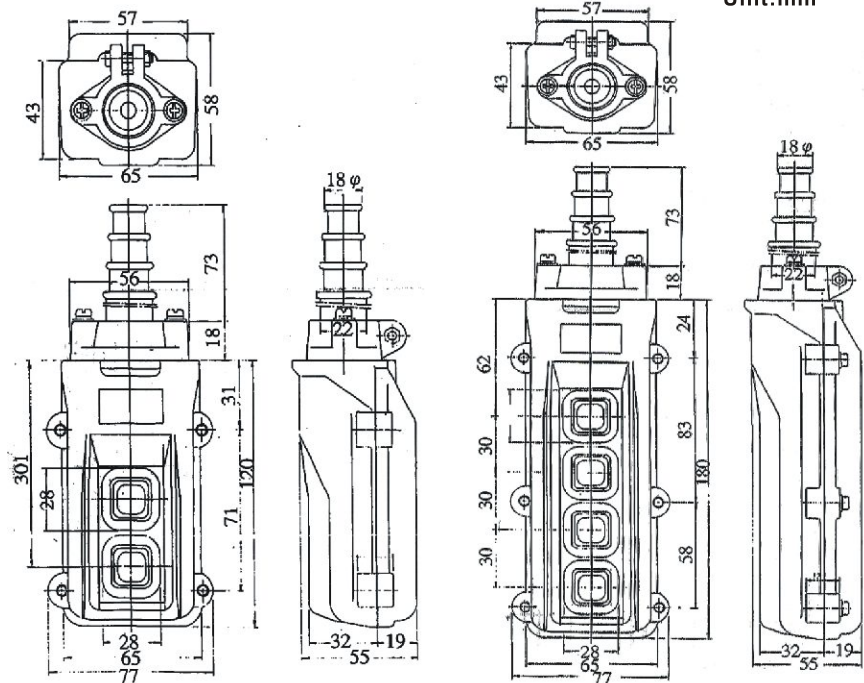


For Double Speed
HS81D

For Single Speed
HS82



For Double Speed
HS82D



HS81

HS82

Push Button Switch,
Pilot Lamp

Terminal Block

SSR, Socket, Relay, Timer

Limit Switch,
Warning Light, Alarm

Thermocouple, Temperature
Controller, Sensor

Panel Meter,
Can Switch, C.T.

Hoist Push Button, Enclosure,
Fan, Lock, Bus Bar Insulator

MCCB, Magnetic Contactor,
Overload Relay

HOIST WATER PROOF PUSH BUTTON PENDANT SWITCH



SWITCHES

**For Single Speed
HS83**

**For Double Speed
HS83D**

**For Single Speed
HS84**

**For Double Speed
HS84D**

**For Single Speed
HS85**

**For Double Speed
HS85D**

**For Single Speed
HS86**

**For Double Speed
HS86D**

ITEM NO.	APPEARANCE	CONTACT ARRANGEMENT	OPERATION
N80B		N80B 10 	N80B 11 1NC+1NO OFF
		N80B 20 	
N80C		N80C 20 	N80C 22 1NC+1NO 1NC+1NO
		N80C 20 	
N80J		N80J 11 	N80J 20
		N80J 20 	
N80D		N80D 44 	N80D 40 4NO
		N80D 44 	
N80T		N80T 44 	N80T 44 4NC+4NO
		N80T 44 	
N80R-2(V)		RED LAMP (V)=Voltage (D12)-12VDC LED (D24)-24VDC LED (110)-110VAC NEON (220)-220VAC NEON	Pilot light mounting hole 10mmØ
CA-12N B80R-9(V)			Pilot light mounting hole 12mmØ

Push Button Switch, Pilot Lamp
Terminal Block
SSR, Socket, Relay, Timer
Limit Switch, Warning Light, Alarm
Thermocouple, Temperature Controller, Sensor
Panel Meter, Can Switch, C.T.
Hoist Push Button, Enclosure, Fan, Lock, Bus Bar Insulator
MCCB, Magnetic Contactor, Overload Relay

HOIST WATER PROOF PUSH BUTTON PENDANT SWITCH



ITEM NO.	
HS821	Emergency stop switch, (Reset) Illuminated push off-push on switch 2 Single speed UP, Down (↑.↓) Deep back
HS822	Emergency stop switch, (Reset) Illuminated push off-push on switch 2 Double speed UP, Down (↑ ↑ . ↓ ↓) Deep back



ITEM NO.	
HS831	Emergency stop switch, (Reset) Selector switch 2 position, 1-2 4 Single speed
HS832	Emergency stop switch, (Reset) Selector switch 2 position, 1-2 4 Double speed
HS833	Emergency stop switch, (Reset) Illuminated push off-push on switch 4 Single speed Deep back
HS834	Emergency stop switch, (Reset) Illuminate push off-push on switch 4 Double speed Deep back



HSD-84S Single speed
ON-OFF, UP DOWN, LEFT RIGHT
EAST WEST, (Others Available)

HSD-84D Double speed
ON-OFF, UP DOWN, LEFT RIGHT
EAST WEST, (Others Available)

Push Button Switch,
Pilot Lamp

Terminal Block

SSR, Socket, Relay, Timer

Limit Switch,
Warning Light, Alarm

Thermocouple, Temperature
Controller, Sensor

Panel Meter,
Can Switch, C.T.

Hoist Push Button, Enclosure,
Fan, Lock, Bus Bar Insulator

MCCB, Magnetic Contactor,
Overload Relay

HOIST WATER PROOF PUSH BUTTON PENDANT SWITCH



ITEM NO.	
HS841	Emergency stop switch, (Reset) Selector switch 2 position, 1-2 6 Single speed
HS842	Emergency stop switch, (Reset) Selector switch 2 position, 1-2 6 Double speed
HS843	Emergency stop switch, (Reset) Pilot lamp 6 Single speed
HS844	Emergency stop switch, (Reset) Pilot lamp 6 Double speed



ITEM NO.	
HS851	Emergency stop switch, (Reset) Pilot lamp 6 Single speed 2 Double speed
HS852	Emergency stop switch, (Reset) Pilot lamp 4 Single speed 4 Double speed
HS861	Emergency stop switch, (Reset) Selector switch 2 position, 1-2 6 Single speed 4 Double speed
HS862	Emergency stop switch, (Reset) Selector switch 2 position, 1-2 4 Single speed 6 Double speed

Push Button Switch,
Pilot Lamp

Terminal Block

SSR, Socket, Relay, Timer

Limit Switch,
Warning Light, Alarm

Thermocouple, Temperature
Controller, Sensor

Panel Meter,
Can Switch, C.T.

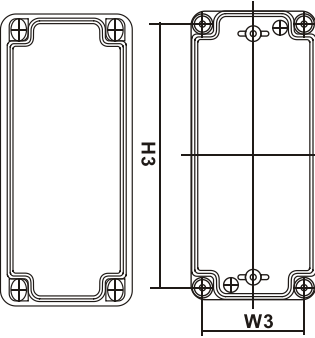
Hoist Push Button, Enclosure,
Fan, Lock, Bus Bar Insulator

MCCB, Magnetic Contactor,
Overload Relay

PLASTIC ENCLOSURE

PLASTIC ENCLOSURE - SWITCH BOX

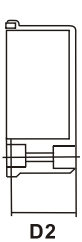
- Light weight : 25% less than metal enclosure.
- Available for installation of terminal substitution rail, button box, relay, sensor...etc.
- EN60529 Standard, Resistance for corrosion, great quality for stainless hinge & draw latched, perfect air-tightness.
- Temperature range : -40°C to +120°C
- Material : ABS / PC



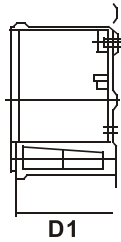
Cover

Body

Allowable error ± 1mm



D2



D1

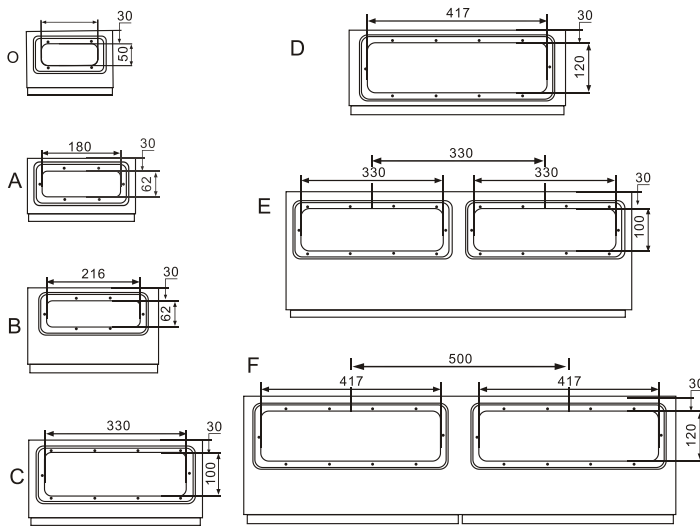
Screw type		Stainless steel latch +screw type		Dimension(mm)		Mounting plate		Installation size(mm)	
Grey door	Clear door	Grey door	Clear door	WXHXD	D1+D2	Plastic	Metal	W3	H3
TJ-AG-0506	TJ-AG-0506	TJ-AG-0506	TJ-AG-0506	50X65X55	40+15	/	TJ-0506	37	52
TJ-AG-0609	TJ-AG-0609	TJ-AG-0609	TJ-AG-0609	65X95X55	35+20	/	/	50	79
TJ-AG-0712	TJ-AG-0712	TJ-AG-0712	TJ-AG-0712	75X125X75	50+25	TJ-0712P	TJ-0712	56	107
TJ-AG-0712-1	TJ-AG-0712-1	TJ-AG-0712-1	TJ-AG-0712-1	75X125X100	50+50	TJ-0712P	TJ-0712	56	107
TJ-AG-0808	TJ-AG-0808	TJ-AG-0808	TJ-AG-0808	80X80X60	45+15	/	TJ-0808	62	62
TJ-AG-0811-S	TJ-AG-0811-S	TJ-AG-0811-S	TJ-AG-0811-S	80X110X45	25+35	TJ-0811P	TJ-0811	62	92
TJ-AG-0811-1S	TJ-AG-0811-1S	TJ-AG-0811-1S	TJ-AG-0811-1S	80X110X60	35+25	TJ-0811P	TJ-0811	62	92
TJ-AG-0811	TJ-AG-0811	TJ-AG-0811	TJ-AG-0811	80X110X70	50+20	TJ-0811P	TJ-0811	62	92
TJ-AG-0811-1	TJ-AG-0811-1	TJ-AG-0811-1	TJ-AG-0811-1	80X110X85	50+35	TJ-0811P	TJ-0811	62	92
TJ-AG-0813	TJ-AG-0813	TJ-AG-0813	TJ-AG-0813	80X130X70	50+20	TJ-0813P	TJ-0813	62	112
TJ-AG-0813-1	TJ-AG-0813-1	TJ-AG-0813-1	TJ-AG-0813-1	80X130X85	50+35	TJ-0813P	TJ-0813	62	112
TJ-AG-0816-S	TJ-AG-0816-S	TJ-AG-0816-S	TJ-AG-0816-S	80X160X55	40+15	TJ-0816P	TJ-0816	68	148
TJ-AG-0816	TJ-AG-0816	TJ-AG-0816	TJ-AG-0816	80X160X90	75+15	TJ-0816P	TJ-0816	68	148
TJ-AG-0818	TJ-AG-0818	TJ-AG-0818	TJ-AG-0818	80X180X70	50+20	TJ-0818P	TJ-0818	62	162
TJ-AG-0818-1	TJ-AG-0818-1	TJ-AG-0818-1	TJ-AG-0818-1	80X180X85	50+35	TJ-0818P	TJ-0818	62	162
TJ-AG-0825	TJ-AG-0825	TJ-AG-0825	TJ-AG-0825	80X250X70	50+20	TJ-0825P	TJ-0825	62	232
TJ-AG-0825-1	TJ-AG-0825-1	TJ-AG-0825-1	TJ-AG-0825-1	80X250X85	50+35	TJ-0825P	TJ-0825	62	232
TJ-AG-1010	TJ-AG-1010	TJ-AG-1010	TJ-AG-1010	100X100X75	55+20	/	TJ-1010	75	82
TJ-AG-1018	TJ-AG-1018	TJ-AG-1018	TJ-AG-1018	180X100X75	60+15	/	TJ-1018	75	155
TJ-AG-1022	TJ-AG-1022	TJ-AG-1022	TJ-AG-1022	223X100X75	60+15	/	TJ-1022	75	198
TJ-AG-1212-S	TJ-AG-1212-S	TJ-AG-1212-S	TJ-AG-1212-S	125X125X75	55+20	TJ-1212P	TJ-1212	105	105
TJ-AG-1212	TJ-AG-1212	TJ-AG-1212	TJ-AG-1212	125X125X100	80+20	TJ-1212P	TJ-1212	105	105
TJ-AG-1217	TJ-AG-1217	TJ-AG-1217	TJ-AG-1217	125X175X75	50+25	TJ-1217P	TJ-1217	108	156
TJ-AG-1217-1	TJ-AG-1217-1	TJ-AG-1217-1	TJ-AG-1217-1	125X175X100	50+50	TJ-1217P	TJ-1217	108	156
TJ-AG-1220	TJ-AG-1220	TJ-AG-1220	TJ-AG-1220	200X120X75	60+15	/	TJ-1220	102	182
TJ-AG-1417	TJ-AG-1417	TJ-AG-1417	TJ-AG-1417	140X170X95	75+20	TJ-1417P	TJ-1417	122	152
TJ-AG-1423	TJ-AG-1423	TJ-AG-1423	TJ-AG-1423	140X230X90	70+20	TJ-1423P	TJ-1423	121	211
TJ-AG-1520-S	TJ-AG-1520-S	TJ-AG-1520-S	TJ-AG-1520-S	150X200X75	50+25	TJ-1520P	TJ-1520	131	182
TJ-AG-1520	TJ-AG-1520	TJ-AG-1520	TJ-AG-1520	150X200X100	80+20	TJ-1520P	TJ-1520	131	182
TJ-AG-1520-1	TJ-AG-1520-1	TJ-AG-1520-1	TJ-AG-1520-1	150X200X130	80+50	TJ-1520P	TJ-1520	131	182
TJ-AG-1525	TJ-AG-1525	TJ-AG-1525	TJ-AG-1525	150X250X100	80+20	TJ-1525P	TJ-1525	132	232
TJ-AG-1525-1	TJ-AG-1525-1	TJ-AG-1525-1	TJ-AG-1525-1	150X250X130	80+50	TJ-1525P	TJ-1525	132	232
TJ-AG-1717	TJ-AG-1717	TJ-AG-1717	TJ-AG-1717	175X175X75	50+25	TJ-1717P	TJ-1717	155	155
TJ-AG-1717-1	TJ-AG-1717-1	TJ-AG-1717-1	TJ-AG-1717-1	175X175X100	50+50	TJ-1717P	TJ-1717	155	155
TJ-AG-1725	TJ-AG-1725	TJ-AG-1725	TJ-AG-1725	175X250X75	50+25	TJ-1725P	TJ-1725	157	232
TJ-AG-1725-1	TJ-AG-1725-1	TJ-AG-1725-1	TJ-AG-1725-1	175X250X100	50+50	TJ-1725P	TJ-1725	157	232
TJ-AG-2020-S	TJ-AG-2020-S	TJ-AG-2020-S	TJ-AG-2020-S	200X200X95	75+20	TJ-2020P	TJ-2020	182	182
TJ-AG-2020	TJ-AG-2020	TJ-AG-2020	TJ-AG-2020	200X200X130	110+20	TJ-2020P	TJ-2020	182	182
TJ-AG-2025	TJ-AG-2025	TJ-AG-2025	TJ-AG-2025	250X200X100	75+25	/	TJ-2025	178	223
TJ-AG-2819	TJ-AG-2819	TJ-AG-2819	TJ-AG-2819	280X190X130	100+30	TJ-2819P	TJ-2819	165	255
TJ-AG-2819-1	TJ-AG-2819-1	TJ-AG-2819-1	TJ-AG-2819-1	280X190X180	100+80	TJ-2819P	TJ-2819	165	255
TJ-AG-2828	TJ-AG-2828	TJ-AG-2828	TJ-AG-2828	280X280X130	100+30	TJ-2828P	TJ-2828	255	255
TJ-AG-2828-1	TJ-AG-2828-1	TJ-AG-2828-1	TJ-AG-2828-1	280X280X180	100+80	TJ-3428P	TJ-3428	255	255
TJ-AG-3428	TJ-AG-3428	TJ-AG-3428	TJ-AG-3428	340X280X130	100+30	TJ-3428P	TJ-3428	315	255
TJ-AG-3819-S	TJ-AG-3819-S	TJ-AG-3819-S	TJ-AG-3819-S	380X190X100	70+30	/	TJ-3819	165	355
TJ-AG-3819	TJ-AG-3819	TJ-AG-3819	TJ-AG-3819	380X190X130	100+30	/	TJ-3819	165	355
TJ-AG-3819-1	TJ-AG-3819-1	TJ-AG-3819-1	TJ-AG-3819-1	380X190X180	150+30	/	TJ-3819	165	355
TJ-AG-3428-1	TJ-AG-3428-1	TJ-AG-3428-1	TJ-AG-3428-1	340X280X180	100+80	TJ-3828P	TJ-3828	315	255
TJ-AG-3828	TJ-AG-3828	TJ-AG-3828	TJ-AG-3828	380X280X130	100+30	TJ-3828P	TJ-3828	355	255
TJ-AG-3828-1	TJ-AG-3828-1	TJ-AG-3828-1	TJ-AG-3828-1	380X280X180	100+80	TJ-2828P	TJ-2828	355	255
TJ-AG-3856	TJ-AG-3856	TJ-AG-3856	TJ-AG-3856	560X380X180	150+30	/	TJ-3856	354	534

STEEL WALL MOUNT ENCLOSURE

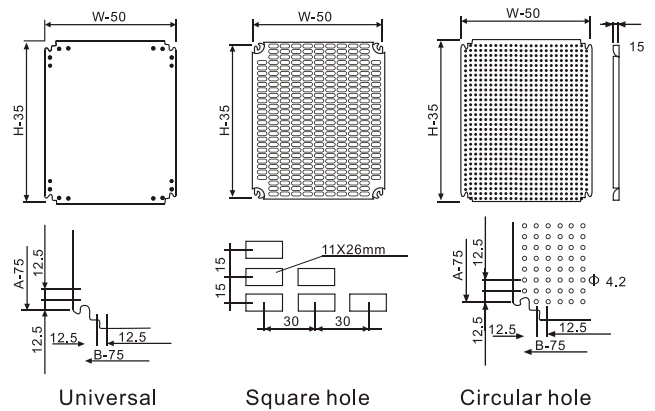


Single door wall mount enclosure

- **Supply Include:**
Enclosure and door, mounting plate, lock system, gland plate, sealing gasket and fixing accessories.
- **Standard Configuration**
Paint finish epoxy polyester powder coating textured finish
- Color : RAL 7032 or RAL 7035
- Protection degree : IP 66
- Against mechanical impacts : IK 10
- Thickness :
Enclosure & door : sheet steel 1.2 mm till size ST6 820 then 1.5mm.
- Mounting plate :
zinc-coated steel 1.5mm till size ST6 820 then 2.0mm



Mounting plate for wall mount enclosure



Note : door hinges on the left for the left open door,
door hinges on the right for the right open door

Unit:mm

ITEM NO.	W	H	D	NO.of lock	Gland open
ST2 215	200	200	150	1	O
ST2 2515	200	250	150	1	O
ST25 2515	250	250	150	1	A
ST2 315	200	300	150	1	O
ST25 315	250	300	150	1	A
ST3 315	300	300	150	1	B
ST4 315	400	300	150	1	B
ST3 415	300	400	150	1	B
ST4 415	400	400	150	1	B
ST3 515	300	500	150	1	B
ST4 515	400	500	150	1	B
ST5 515	500	500	150	1	D
ST4 615	400	600	150	2	C
ST5 615	500	600	150	2	D
ST25 320	250	300	200	1	A
ST3 320	300	300	200	1	B
ST4 320	400	300	200	1	B
ST3 420	300	400	200	1	B
ST4 420	400	400	200	1	B
ST6 420	600	400	200	1	D
ST3 520	300	500	200	1	B
ST4 520	400	500	200	1	B

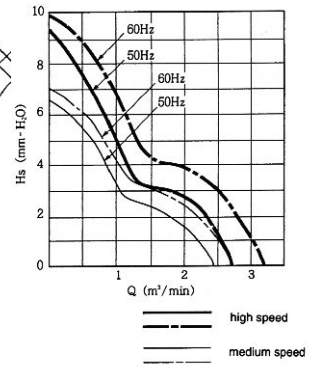
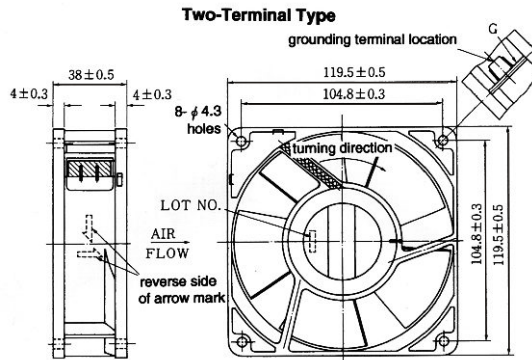
ITEM NO.	W	H	D	NO.of lock	Gland open
ST5 520	500	500	200	1	D
ST4 620	400	600	200	2	C
ST5 620	500	600	200	2	D
ST6 620	600	600	200	2	D
ST5 720	500	700	200	2	D
ST6 720	600	700	200	2	D
ST6 820	600	800	200	2	D
ST8 820	800	800	200	2	E
ST6 1020	600	1000	200	3	D
ST8 1020	800	1000	200	3	E
ST6 1220	600	1200	200	3	D
ST8 1220	800	1200	200	3	E
ST4 425	400	400	250	2	C
ST6 425	600	400	250	1	D
ST4 525	400	500	250	1	C
ST5 525	500	500	250	2	D
ST4 625	400	600	250	2	C
ST5 625	500	600	250	2	D
ST6 625	600	600	250	2	D
ST5 725	500	700	250	2	D
ST6 825	600	800	250	2	D
ST8 825	800	800	250	2	E

ITEM NO.	W	H	D	NO.of lock	Gland open
ST6 1025	600	1000	250	3	D
ST8 1025	800	1000	250	3	E
ST6 1225	600	1200	250	3	D
ST8 1225	800	1200	250	3	E
ST4 630	400	500	300	2	C
ST4 630	400	600	300	2	C
ST5 630	500	600	300	2	D
ST6 630	600	600	300	2	D
ST5 730	500	700	300	2	D
ST6 830	600	800	300	2	D
ST8 830	800	800	300	2	E
ST6 1030	600	1000	300	3	D
ST6 1230	600	1200	300	3	D
ST8 1030	800	1000	300	3	E
ST8 1230	800	1200	300	3	E
ST8 1430	800	1400	300	3	E
ST6 840	600	800	400	2	D
ST8 840	800	800	400	2	E
ST6 1040	600	1000	400	3	D
ST8 1040	800	1000	400	3	E
ST6 1240	600	1200	400	3	D
ST8 1240	800	1200	400	3	E
ST8 1440	800	1400	400	3	E

more size to be requested by the clients....

AXIAL FLOW FAN

120x120x38mm



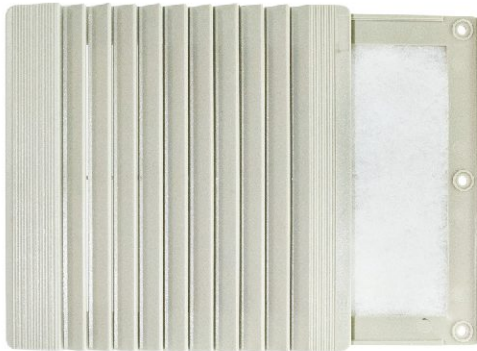
TN1238A2B

- Frame Type:Aluminum Painted
- Impeller:Thermoplastic UL94V-0
- Bearing:Ball Bearing
- Dielectric Withstand : 1500VAC for 1min Normal humidity
- Operation Temperature:-20°C~+75°C
- Connection:B type is Terminal. BL type is Lead Wire.

ITME NO.	Rated Voltage	Frequency	Rated Input	Rated Current	Speed	Air Flow	Noise Level	Weight
	(ACV)	(HZ)	(W)	(A)	(RPM)	(CFM)	(dB-A)	(Kg)
TN1238A1B	110/120	50/60	21/17	0.21/0.18	2550/2600	80/100	45/49	0.46
TN1238A1BL	110/120	50/60	21/17	0.21/0.18	2550/2600	80/100	45/49	0.46
TN1238A2B	220/240	50/60	20/17	0.14/0.13	2900/3000	80/90	44/48	0.46
TN1238A2BL	220/240	50/60	20/17	0.14/0.13	2900/3000	80/90	44/48	0.46

FILTER & METAL NET

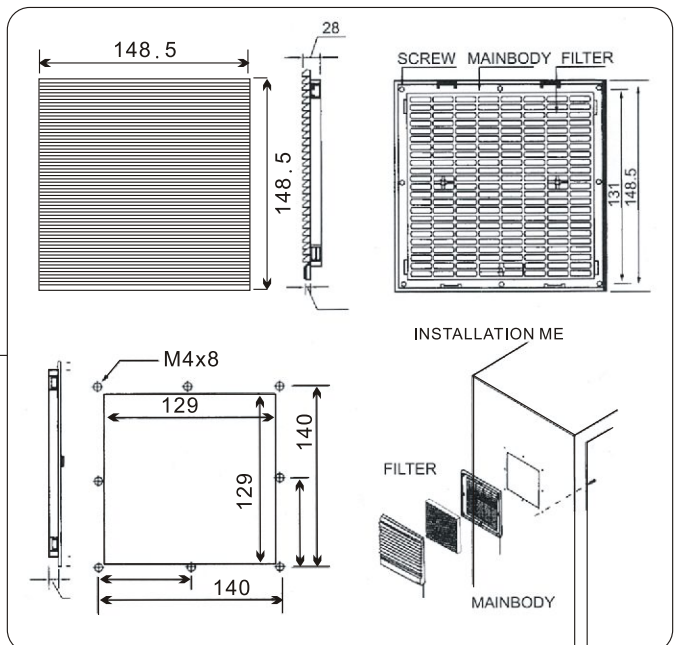
FG-4N



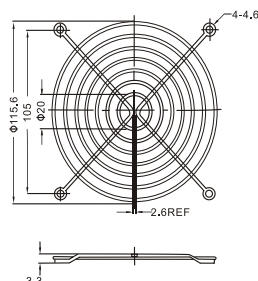
※Be suitable for 120*120FAN



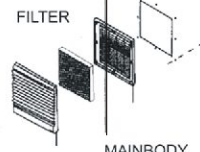
- Main Body Material : UL94 Grade Material
- Filter Material : Non Fibrous Filter Media
- Spacer : TPE Soft Material
- Dust Removal Efficiency : AFI 90%(Dust Accumulation Capacity : 520g/m²)
- Application Environment : Indoor -10°C~+85°C



SP-38



INSTALLATION ME

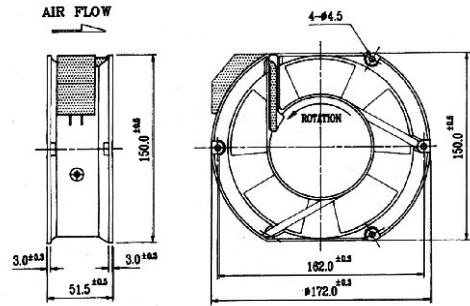
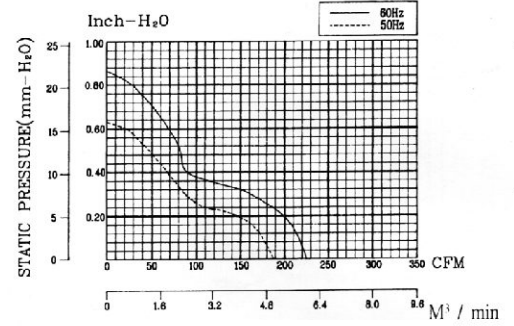


AXIAL FLOW FAN

170x150x51mm



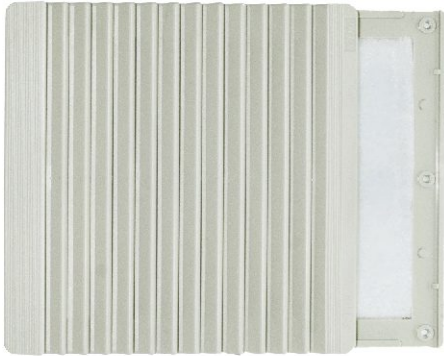
TN1725A2B



ITEM NO.	Rated Voltage	Frequency	Rated Input	Rated Current	Speed	Air Flow	Noise Level	Weight
	(ACV)	(HZ)	(W)	(A)	(RPM)	(CFM)	(dB-A)	(Kg)
TN1725A1B	110/120	50/60	21/17	0.21/0.18	2550/2600	80/100	45/49	0.46
TN1725A1BL	110/120	50/60	21/17	0.21/0.18	2550/2600	80/100	45/49	0.46
TN1725A2B	220/240	50/60	20/17	0.14/0.13	2900/3000	80/90	44/48	0.46
TN1725A2BL	220/240	50/60	20/17	0.14/0.13	2900/3000	80/90	44/48	0.46

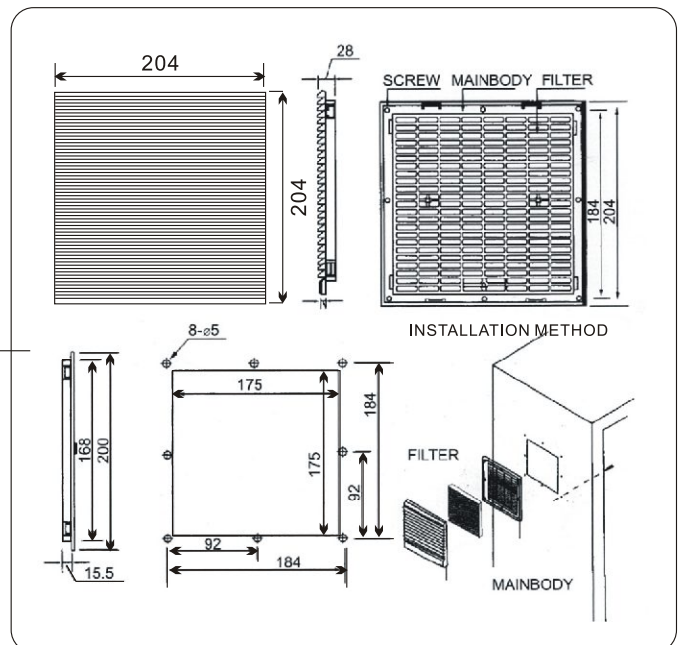
FILTER & METAL NET

FG-6N

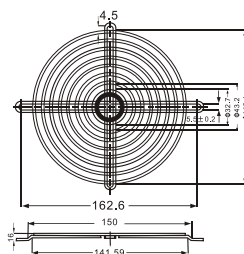


- Main Body Material : UL94 Grade Material
- Filter Material : Non Fibrous Filter Media
- Spacer : TPE Soft Material
- Dust Removal Efficiency : AFI 90%(Dust Accumulation Capacity : 520g/m²)
- Application Environment : Indoor -10°C~+85°C

※Be suitable for 120x120 / 170x150 FAN

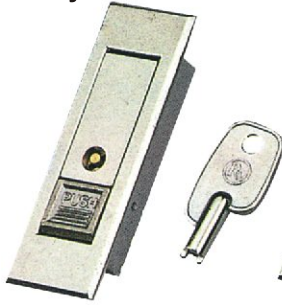


SP-39

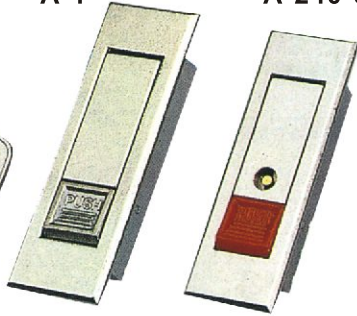


PANEL LOCK

A-1Key



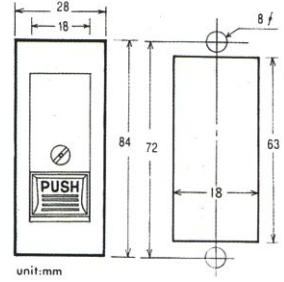
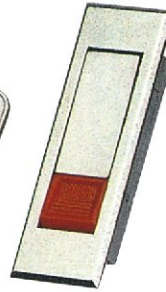
A-1



A-240-3Key



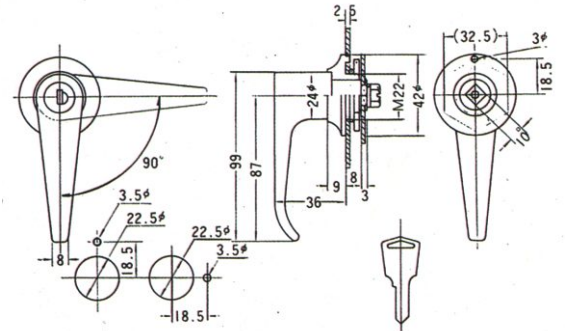
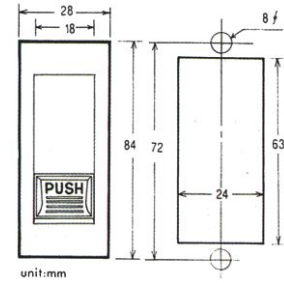
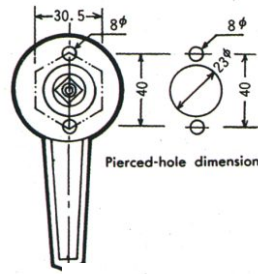
A-240-3



A-140-2



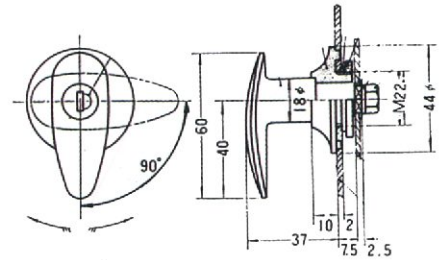
A-45Key



A-S1



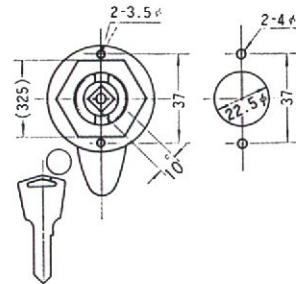
A-45



A-S2



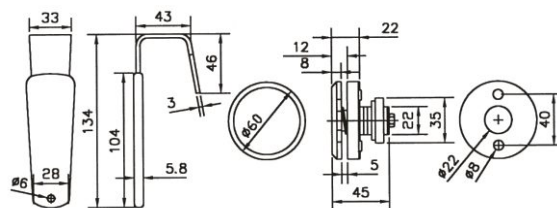
A-19Key



A-19



A-172-1
WATERPROOF LEVER HANDLE



Push Button Switch,
Pilot Lamp

Terminal Block

SSR, Socket, Relay, Timer

Limit Switch,
Warning Light, Alarm

Thermocouple, Temperature
Controller, Sensor

Panel Meter,
Can Switch, C.T.

Hoist Push Button, Enclosure,
Fan, Lock, Bus Bar Insulator

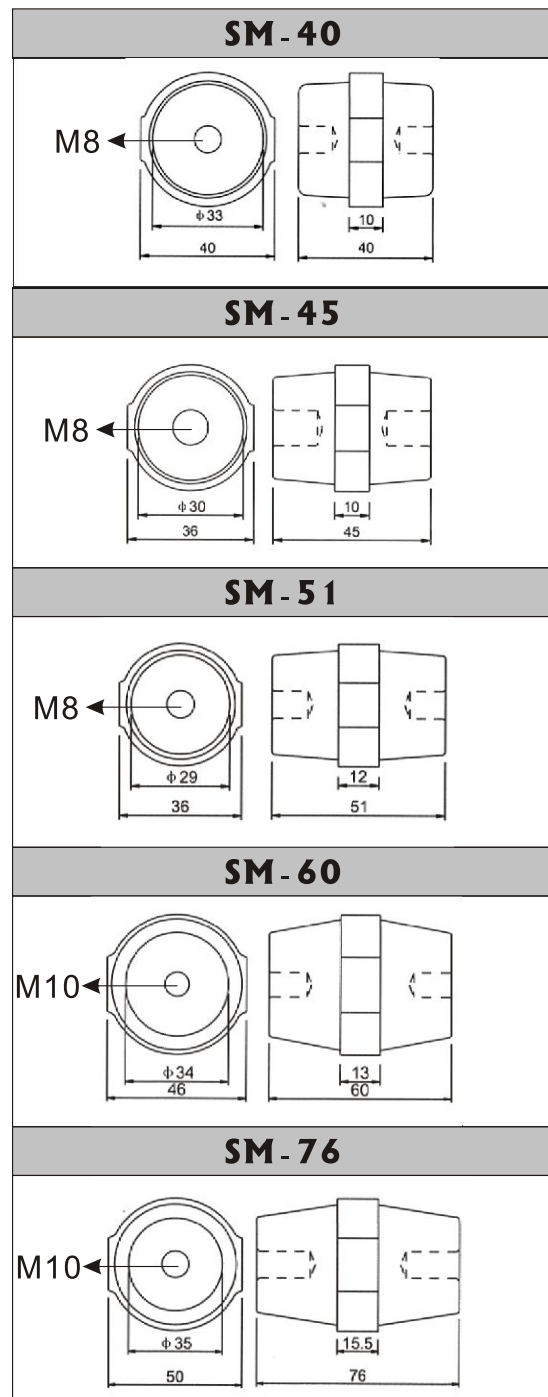
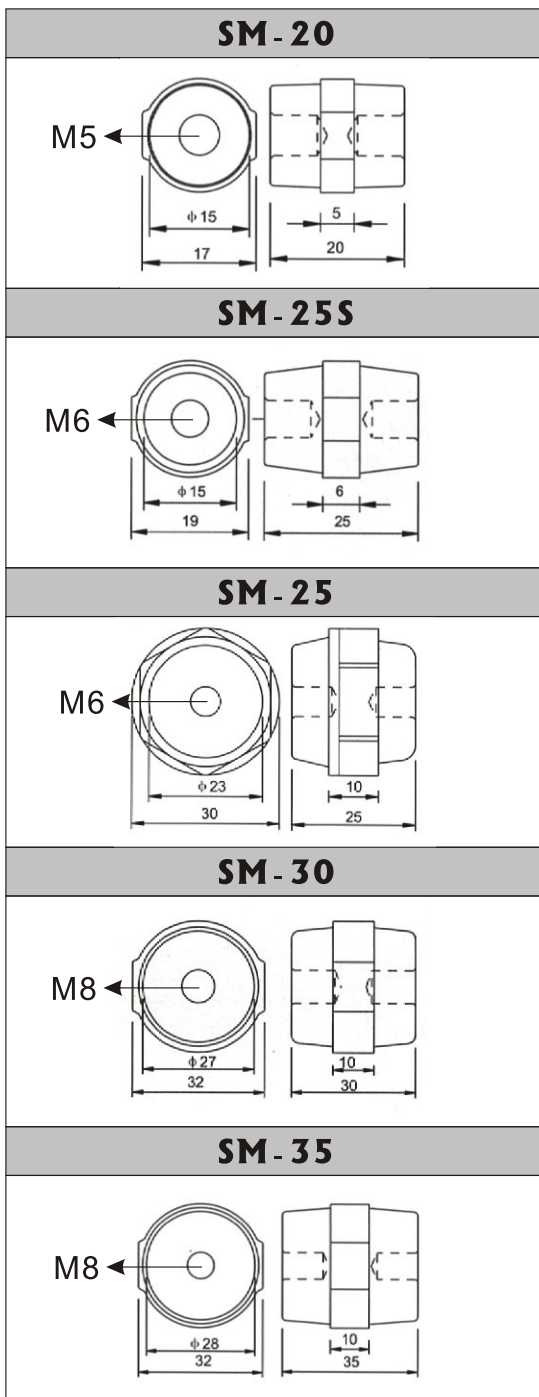
MCCB, Magnetic Contactor,
Overload Relay

LOW VOLTAGE INSULATOR



- SM -
 - Height
 - Series
- Operating Temperature : -40~+140(°C)
- Insert : Brass. Steel with Zn coating.
- Material : BMC(Bough Moulding Compound)
- Special Color & Insert upon request with reasonable quantity.

Unit:mm



Push Button Switch,
Pilot Lamp

Terminal Block

SSR, Socket, Relay, Timer

Limit Switch,
Warning Light, Alarm

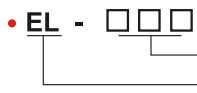
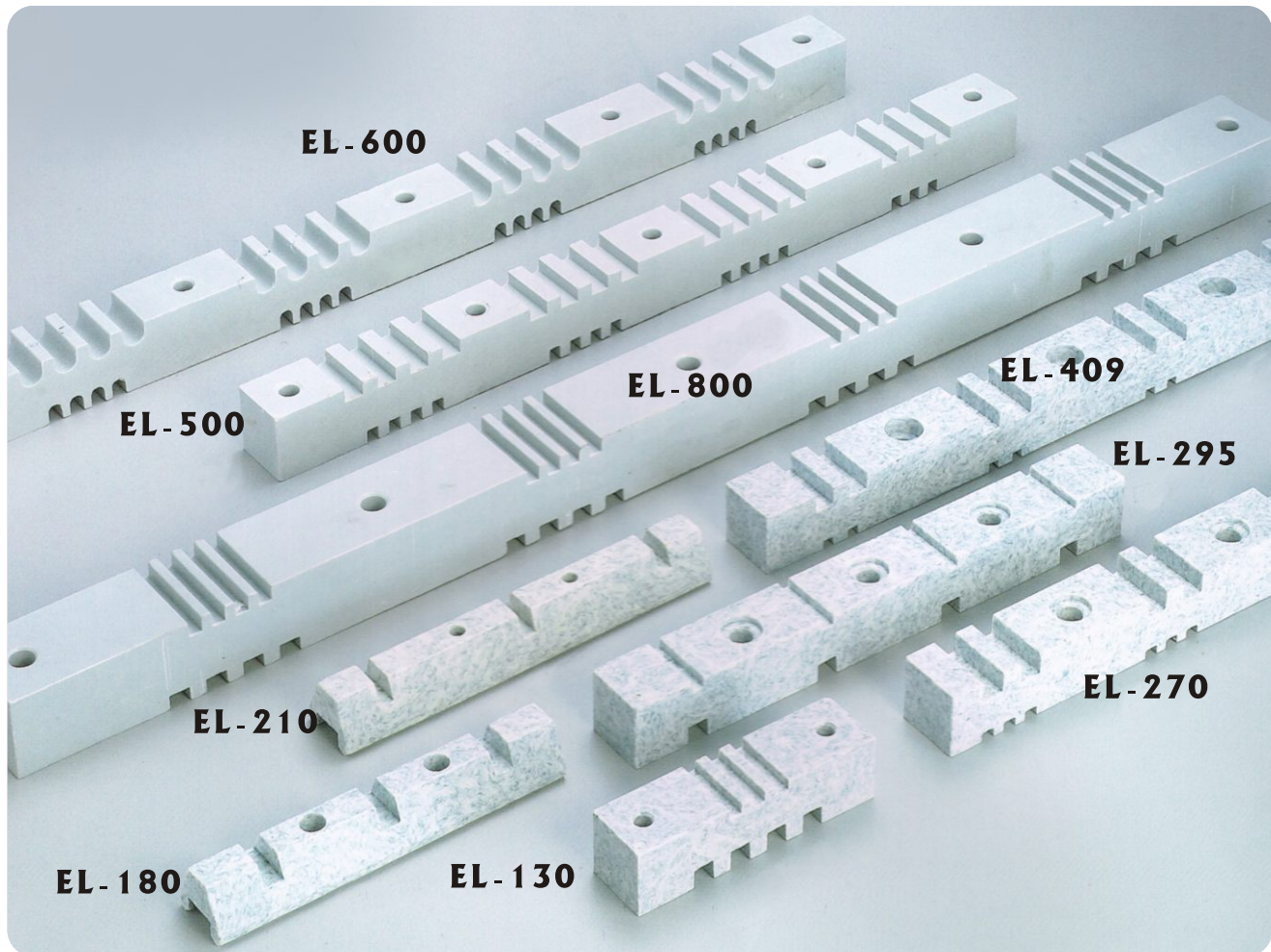
Thermocouple, Temperature
Controller, Sensor

Panel Meter,
Can Switch, C.T.

Hoist Push Button, Enclosure,
Fan, Lock, Bus Bar Insulator

MCCB, Magnetic Contactor,
Overload Relay

BUSBAR SUPPORT EL TYPE



Length Series

- Operating Temperature : -40~+140(°C)
- Material : BMC(Bough Moulding Compound)
- Special Color & Insert upon request with reasonable quantity.



For more product information, Please check our website: www.elecmi.com

Push Button Switch,
Pilot Lamp

Terminal Block

SSR, Socket, Relay, Timer

Limit Switch,
Warning Light, Alarm

Thermocouple, Temperature
Controller, Sensor

Panel Meter,
Can Switch, C.T.

Hoist Push Button, Enclosure,
Fan, Lock, Bus Bar Insulator

MCCB, Magnetic Contactor,
Overload Relay

BUSBAR SUPPORT CHART

<p>EL-60</p>	<p>EL-105</p>	<p>EL-130</p> <table border="1"> <thead> <tr> <th>Dimension Number</th> <th>A</th> <th>B</th> </tr> </thead> <tbody> <tr><td>1</td><td>11</td><td></td></tr> <tr><td>2</td><td>10</td><td>6.5</td></tr> <tr><td>3</td><td>7</td><td></td></tr> <tr><td>4</td><td>6</td><td></td></tr> <tr><td>5</td><td>5</td><td></td></tr> </tbody> </table>	Dimension Number	A	B	1	11		2	10	6.5	3	7		4	6		5	5																																																										
Dimension Number	A	B																																																																											
1	11																																																																												
2	10	6.5																																																																											
3	7																																																																												
4	6																																																																												
5	5																																																																												
<p>EL-155</p>	<p>EL-170</p> <table border="1"> <thead> <tr> <th>Dimension Number</th> <th>A</th> </tr> </thead> <tbody> <tr><td>1</td><td>6</td></tr> <tr><td>2</td><td>7</td></tr> </tbody> </table>	Dimension Number	A	1	6	2	7	<p>EL-180</p> <table border="1"> <thead> <tr> <th>No.</th> <th>SIZE</th> <th>A</th> </tr> </thead> <tbody> <tr><td>1</td><td>7</td><td></td></tr> <tr><td>2</td><td>11</td><td></td></tr> </tbody> </table>	No.	SIZE	A	1	7		2	11																																																													
Dimension Number	A																																																																												
1	6																																																																												
2	7																																																																												
No.	SIZE	A																																																																											
1	7																																																																												
2	11																																																																												
<p>EL-210</p> <table border="1"> <thead> <tr> <th>Dimension</th> <th>A</th> <th>B</th> <th>C</th> <th>D</th> <th>W</th> </tr> </thead> <tbody> <tr><td>2</td><td>28</td><td>18</td><td>10</td><td>7</td><td>7.5</td></tr> <tr><td>3</td><td>28</td><td>18</td><td>10</td><td>7</td><td>11.5</td></tr> <tr><td>4</td><td>28</td><td>18</td><td>10</td><td>7</td><td>10</td></tr> <tr><td>12</td><td>31</td><td>21</td><td>13</td><td>10</td><td>7.5</td></tr> <tr><td>13</td><td>31</td><td>21</td><td>13</td><td>10</td><td>11.5</td></tr> <tr><td>14</td><td>31</td><td>21</td><td>13</td><td>10</td><td>10</td></tr> </tbody> </table>	Dimension	A	B	C	D	W	2	28	18	10	7	7.5	3	28	18	10	7	11.5	4	28	18	10	7	10	12	31	21	13	10	7.5	13	31	21	13	10	11.5	14	31	21	13	10	10	<p>EL-270</p> <table border="1"> <thead> <tr> <th>Dimension Number</th> <th>A</th> <th>D</th> </tr> </thead> <tbody> <tr><td>1</td><td>12</td><td>7</td></tr> <tr><td>2</td><td>12</td><td>0</td></tr> <tr><td>3</td><td>11</td><td>6</td></tr> <tr><td>4</td><td>10</td><td>5</td></tr> </tbody> </table>	Dimension Number	A	D	1	12	7	2	12	0	3	11	6	4	10	5	<p>EL-295</p> <table border="1"> <thead> <tr> <th>Dimension Number</th> <th>A</th> <th>B</th> </tr> </thead> <tbody> <tr><td>1</td><td>11</td><td>-</td></tr> <tr><td>2</td><td>22</td><td>-</td></tr> <tr><td>3</td><td>5</td><td>-</td></tr> <tr><td>4</td><td>6.3</td><td>-</td></tr> <tr><td>5</td><td>11</td><td>6.3</td></tr> </tbody> </table>	Dimension Number	A	B	1	11	-	2	22	-	3	5	-	4	6.3	-	5	11	6.3
Dimension	A	B	C	D	W																																																																								
2	28	18	10	7	7.5																																																																								
3	28	18	10	7	11.5																																																																								
4	28	18	10	7	10																																																																								
12	31	21	13	10	7.5																																																																								
13	31	21	13	10	11.5																																																																								
14	31	21	13	10	10																																																																								
Dimension Number	A	D																																																																											
1	12	7																																																																											
2	12	0																																																																											
3	11	6																																																																											
4	10	5																																																																											
Dimension Number	A	B																																																																											
1	11	-																																																																											
2	22	-																																																																											
3	5	-																																																																											
4	6.3	-																																																																											
5	11	6.3																																																																											
<p>EL-409</p> <table border="1"> <thead> <tr> <th>No.</th> <th>SIZE</th> <th>A</th> <th>B</th> </tr> </thead> <tbody> <tr><td>1</td><td>11</td><td>0</td><td></td></tr> <tr><td>2</td><td>11</td><td>6.3</td><td></td></tr> <tr><td>3</td><td>15</td><td>0</td><td></td></tr> <tr><td>4</td><td>10</td><td>0</td><td></td></tr> </tbody> </table>	No.	SIZE	A	B	1	11	0		2	11	6.3		3	15	0		4	10	0		<p>EL-500</p>																																																								
No.	SIZE	A	B																																																																										
1	11	0																																																																											
2	11	6.3																																																																											
3	15	0																																																																											
4	10	0																																																																											
<p>EL-600</p>	<p>EL-800</p>																																																																												

Push Button Switch,
Pilot Lamp

Terminal Block

SSR, Socket, Relay, Timer

Limit Switch,
Warning Light, Alarm

Thermocouple, Temperature
Controller, Sensor

Panel Meter,
Can Switch, C. I.

Hoist Push Button, Enclosure,
Fan, Lock, Bus Bar Insulator

MCCB, Magnetic Contactor,
Overload Relay

HIGH VOLTAGE INSULATOR



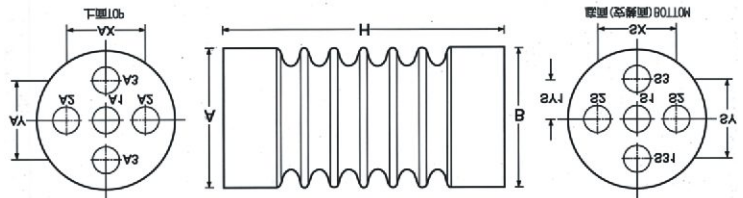
通過台灣大電力研究試驗中心測試合格
Certified by Taiwan Electric Research Center.

7.2KV 碍子通過日本大阪府立產業技術總合研究所測試合格
7.2KV Insulator Certified by Technology Research Institute of Osaka Prefecture, Japan.

HIGH VOLTAGE INSULATOR DIMENSION AND CHARACTERISTICS

- 1.材料：BMC/EPOXY電氣絕緣材料。
- 2.螺母：黃銅，其規格、數量及位置等可依設計而定。
- 3.測試規範：JIS C3801和JIS C3851。
- 4.顏色：咖啡色或暗紅色。
- 5.尺寸和特性 請參考下表

- 1.Material: Bulk molding compound, unsaturated polyester resin based or EPOXY based.
- 2.Nut inserts: Brass, various specifications are available. Arrangement of nut inserts can be designed upon request.
- 3.Test specifications: JIS C3801 and JIS C3851.
- 4.Color: Dark brown or dark red.
- 5.Dimension and characteristics:(Shown below)



ITEM NO.		EL-30N	EL-20N	EL-10N	EL-10H	EL-25	EL-24	EL-15	EL-12	EL-6M	EL-3M	EL-6S	EL-3S	
兩端外徑,Ø(A/B),mm	End diameters(A/B),mm	100	85/90	75/80	75/80	70	70	70	58	70	70	55	50	
高度(H),mm	Height(H),mm	310	210	145	115	230	210	142	130	90	60	90	50	
表面漏洩距離,mm	Surface leakage distance,mm	630	330	240	190	375	356	210	172	125	88	130	65	
定額電壓,kV	Rated voltage,kV	36	22	16.5	12	25	24	15	12	7.2	3.6	7.2	3.6	
低頻耐電壓強度1分鐘,kV	Low frequency dielectric strength,kV	75	50	36	28	60	60	50	36	22	16	22	16	
衝擊波耐電壓強度,kV	Impulse voltage resistance,kV	200	125	95	75	150	125	110	95	75	60	60	45	
耐曲折強度1分鐘,kg	Persistent bending strength,1min,kg	500	600	600	600	300	300	400	300	400	400	250	150	
拉伸強度,kg	Tensile strength,kg	>3000	>2000	>2000	>2000	>2000	>1500	>1500	>2000	>1200	>1200	>1800	>1000	
扭力強度,kg-m	Torque strength,kg-m	>25	>25	>25	>25	>25	>25	>25	>25	>25	>25	>25	>20	
螺母排列 INSERTS ARRANGEMENT	上面 TOP	A1	M16	M10	M10	—	—	M10	M10	M10	M10	M10	—	—
		A2	M8	M8	M8	M8	M10	—	—	M8	M8	M8	—	M6
		A3	—	M10	M10	M10	M10	M8	M8	—	—	—	M8	—
		AX	40	24	34	34	40	—	—	36	40	40	—	32
		AY	—	40	40	40	40	40	40	—	—	—	32	—
		AS	—	—	—	—	—	—	—	—	—	—	—	—
	下面 BOTTOM	S1	M16	—	—	—	—	M10	M10	M10	M10	M10	M10	M8
		S2	—	M10	M10	M10	—	—	—	—	—	—	—	—
		S3	M4	M10	M10	—	M10	—	—	—	—	—	—	—
		S31	—	M10	M10	—	M10	—	—	—	—	—	—	—
		SX	—	40	40	40	—	—	—	—	—	—	—	—
		SY	—	40	40	—	40	—	—	—	—	—	—	—
SY1	30	—	—	—	—	—	—	—	—	—	—	—		